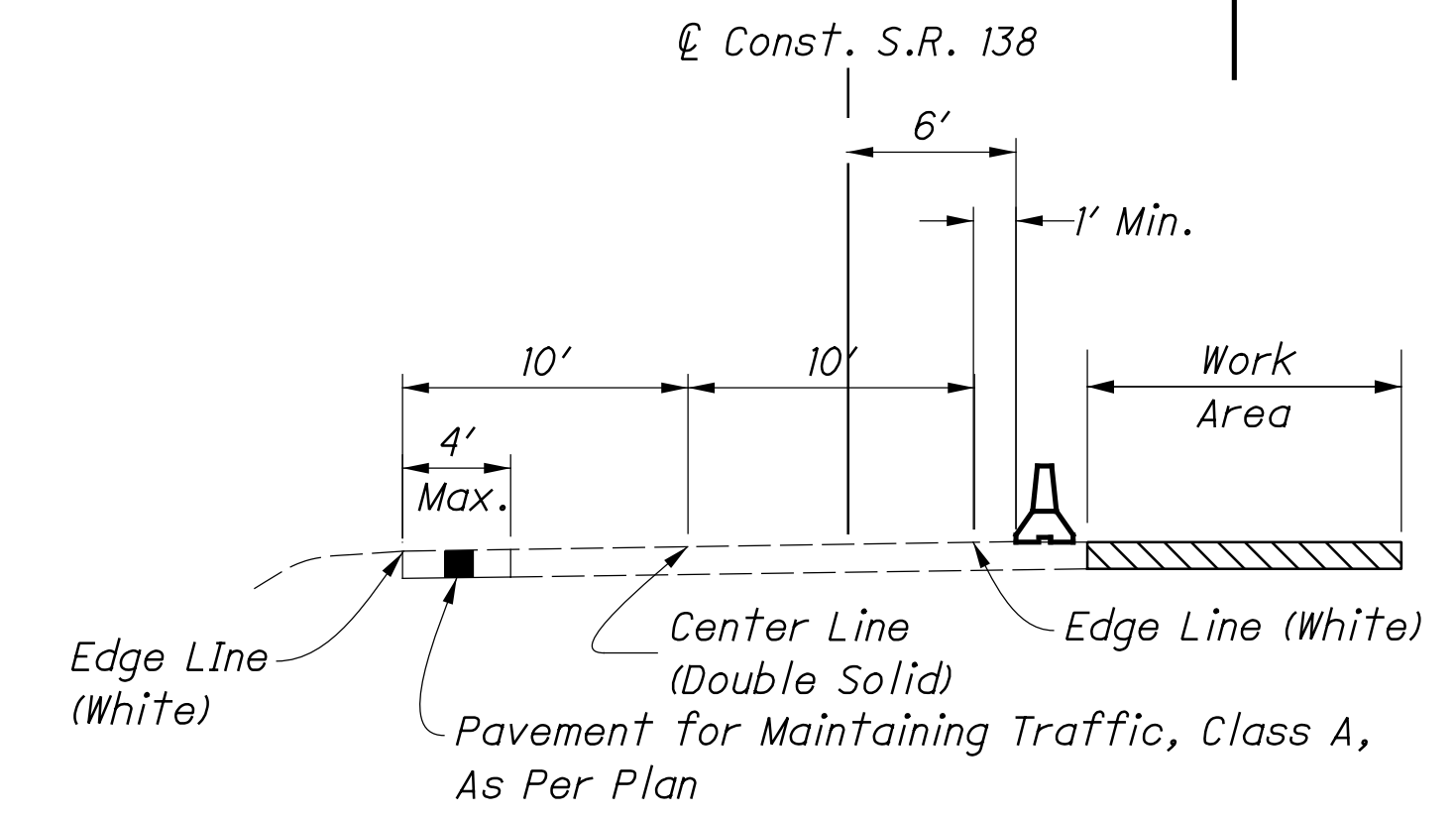
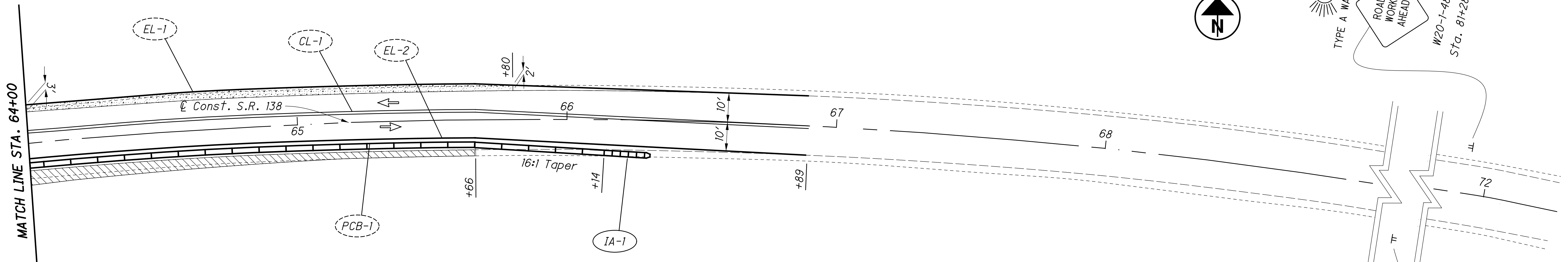


ESTIMATED QUANTITIES								
REF No.	Station to Station	Side	614				622	
			WORK ZONE IMPACT ATTENUATOR 24" WIDE HAZARDS, (BIDIRECTIONAL) EACH	BARRIER REFLECTOR, TYPE I (BIDIRECTIONAL) EACH	OBJECT MARKER, TWO WAY EACH	WORK ZONE CENTER LINE, CLASS I, 740.06, TYPE I (DOUBLE SOLID) MILE	WORK ZONE EDGE LINE, CLASS I, 6" 704.06, TYPE I (WHITE) MILE	PORTABLE BARRIER, UNANCHORED FT
CL-1	59+00 to 66+89	Lt.				0.15		
EL-1	59+00 to 66+89	Lt.					0.15	
EL-2	59+00 to 66+89	Rt.					0.15	
PCB-1	59+00 to 66+14	Lt.		15	15		714	
IA-1	66+14 to 66+39	Lt.	1					
<b>TOTALS CARRIED TO SUB-SUMMARY</b>			<b>1</b>	<b>15</b>	<b>15</b>	<b>0.15</b>	<b>0.30</b>	<b>714</b>



SECTION A-A



LEGEND

- Portable Barrier, Unanchored
- Area to be Constructed
- Pavement for Maintaining Traffic, Class A, As Per Plan (Constructed in Phase One)
- Direction of Traffic

